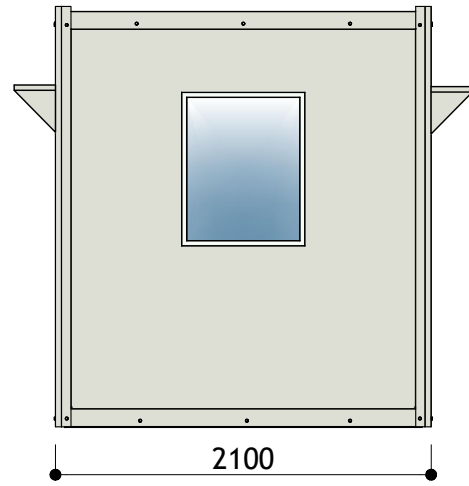
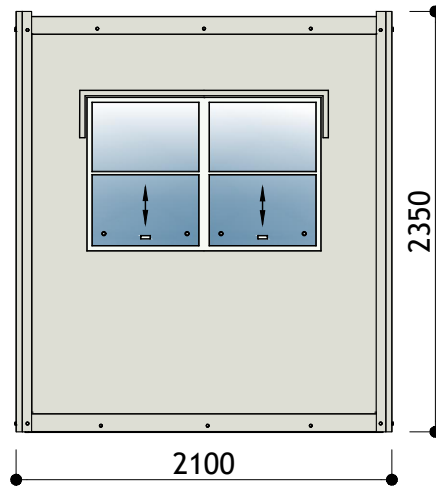


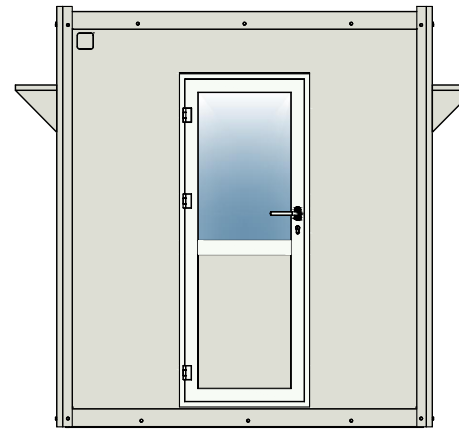
RIGHT SIDE



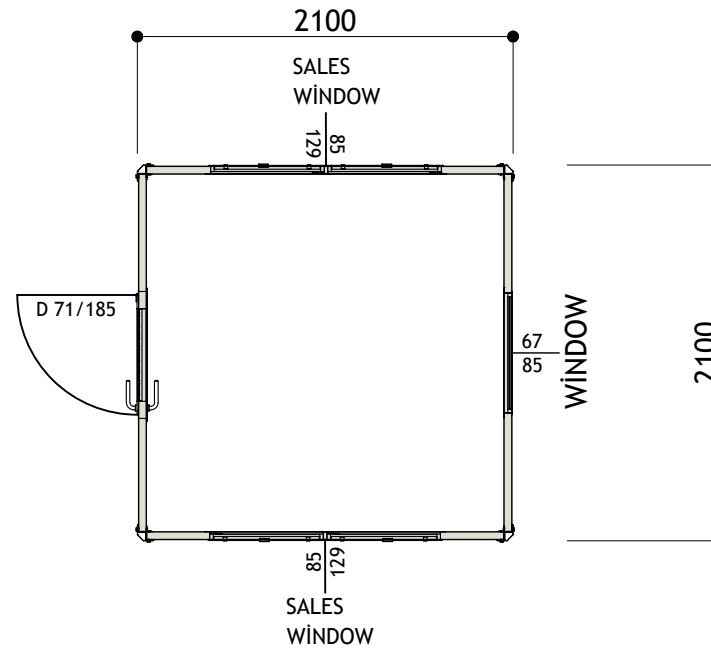
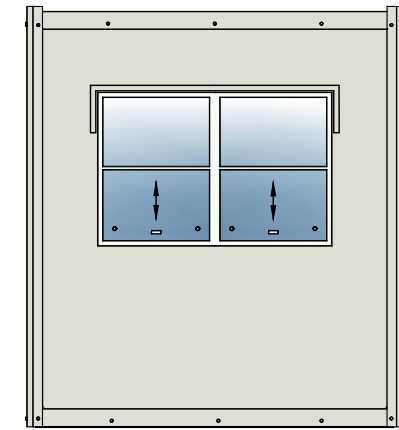
FRONT VIEW



LEFT SIDE



BACK SIDE



PLAN